

Diagnostic Connector (DLC3) Circuit

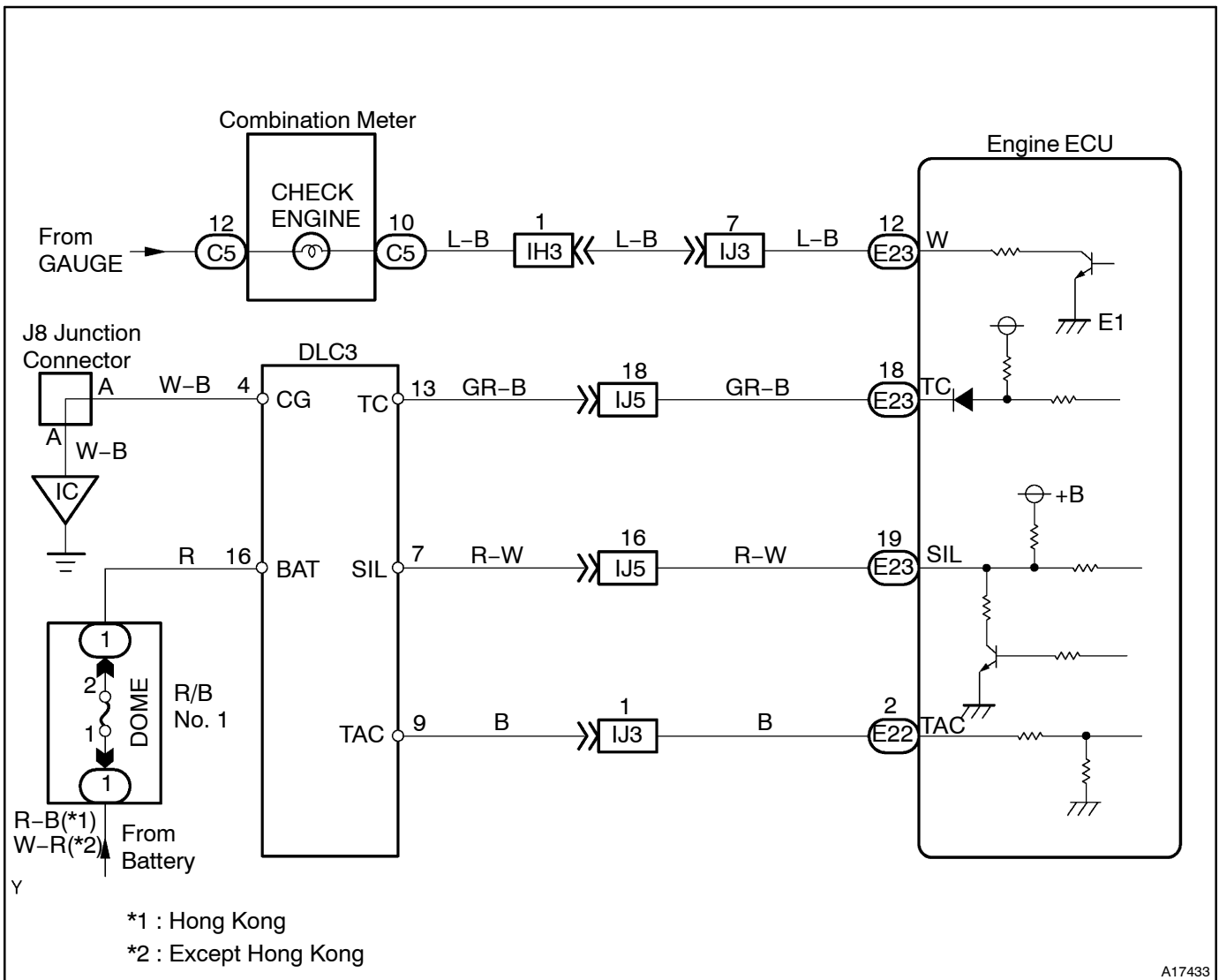
CIRCUIT DESCRIPTION

Terminals TC and CG are located in the DLC3.

The DLC3 is located under the finish lower panel. When terminals TC and CG are connected, DTC in normal mode or test mode can be read from the check engine warning light in the combination meter.

Also, terminal SIL is located in the DLC3. This terminal is used by the M-OB D communication with hand-held tester.

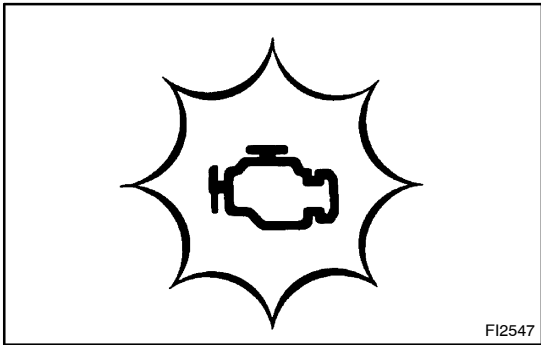
WIRING DIAGRAM



A17433

INSPECTION PROCEDURE

1 Check check engine warning light condition.



PREPARATION:

- (a) Turn the ignition switch ON.
- (b) Using SST, connect terminals TC and CG of the DLC3.
SST 09843-18040

CHECK:

Check the check engine warning light condition.

OK:

Check engine warning light: Blinking

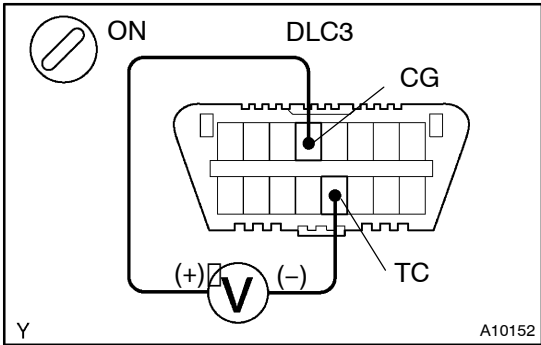
HINT:

If this inspection OK and there is no hand-held tester, do not need to do the following steps and this circuit is OK. Proceed to next circuit inspection shown on problem symptom table (See page DI-18).

OK → Go to step 7.

NG

2 Check voltage between terminals TC and CG of DLC3.



PREPARATION:

Turn the ignition switch ON.

CHECK:

Measure the voltage between terminals TC and CG of the DLC3.

OK:

Voltage : 18 - 27 V

OK → Go to step 5.

NG

3 Check continuity between terminal CG of DLC3 and body ground.

NG → Repair or replace harness or connector.

OK

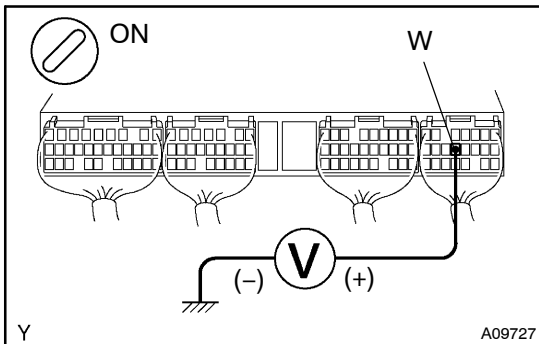
- 4 Check for open and short in harness and connector between terminal TC of DLC3 and terminal TC of engine ECU (See page IN-20).

NG

Repair or replace harness or connector.

OK

- 5 Check voltage between terminal W of engine ECU connector and body ground.

**PREPARATION:**

- (a) Disconnect the engine ECU from the body bracket (See page ED-30).
 (b) Turn the ignition switch ON.

CHECK:

Measure the voltage between terminal W of the engine ECU connector and body ground.

OK:

Voltage: 18 – 27 V

OK

Check and replace engine ECU (See page IN-20).

NG

- 6 Check bulb of check engine warning light.

NG

Replace bulb.

OK

Check for open in harness and connector between terminal W of engine ECU and combination meter (See page IN-20).

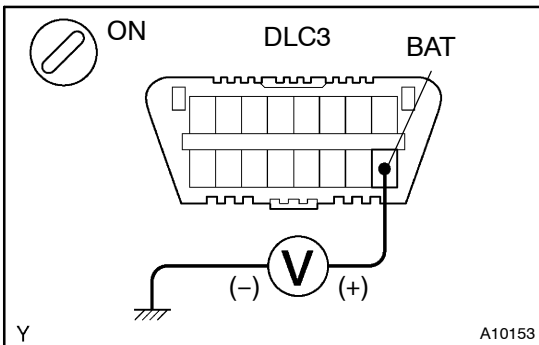
7 Can you read DTC (including normal DTC) using hand-held tester?

YES

Proceed to next circuit inspection shown on problem symptoms table (See page DI-18).

NO

8 Check voltage between terminal BAT of DLC3 and body ground.



PREPARATION:

Turn the ignition switch ON.

CHECK:

Measure the voltage between terminal BAT of the DLC3 and body ground.

OK:

Voltage: 18 - 27 V

OK

Check for open and short in harness and connector between terminal BAT of DLC3 and terminal SIL of engine ECU (See page IN-20).

NG

Check for open and short in harness and connector between terminal BAT of DLC3 and DOME (See page IN-20).